



**4MM THIN
FRONT PLATE**



**CURVED SWITCH
DESIGN FOR
PREMIUM LOOK**



**AVAILABLE
IN MULTIPLE
COLORS**



**REINFORCED WITH
A STRONG METAL
GRID PLATE**



**ISI MARKED
FAN SPEED
CONTROLLER**



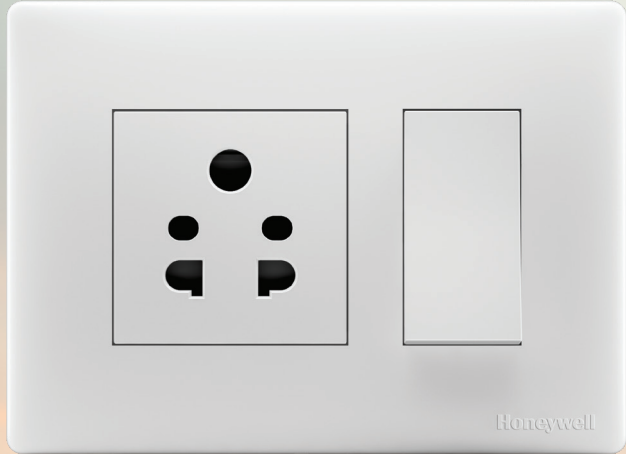
**BIS APPROVED
2.4A USB CHARGER**

HORIZON

Blend of Design & Grace



Honeywell



HORIZON

Blend of Design & Grace

HORIZON

Aesthetics is all about combining various elements of design in a visually appealing manner. Every colour and object you add contributes to the overall look and feel. So, if you are looking for the right elements to work together and create magic, then look no further.

Introducing Horizon - the perfect blend of design and grace. Horizon imparts a classy look by combining a stylish curved design, slim form factor and a choice of colours. Choose Horizon and start designing aesthetic masterpieces.



SLEEK
AND
STYLISH

HORIZON | Blend of Design & Grace

4MM THIN
FRONT PLATE

Horizon brings together flair and function. The 4mm thin front plate is the slimmest in this segment. These super-slim front plates ensure that the switches blend with the wall thereby reducing the dust deposition at the edges. A perfect balance of stylish design and outstanding functionality, Horizon effortlessly makes your space elegant.





CURVED SWITCH DESIGN FOR PREMIUM LOOK

Horizon spices up the aesthetics with graceful curved accents. The geometric perfection of the curves that define Horizon's design goes a long way in adding a premium look and feel.

CURVED BEYOND IMAGINATION





A SPECTACULAR SHOW OF COLOURS

AVAILABLE
IN MULTIPLE
COLOURS

Horizon comes in a multitude of colours and brightens up the space by striking the perfect match of colours. Horizon gives a great finishing touch, regardless of the hues and accents with which you have decorated.





STRONG AND RESILIENT

**REINFORCED
WITH A STRONG
METAL GRID
PLATE**

Horizon is the first in its segment to offer metal grid plates for all modules. The metal grid plate underneath reinforces the front plate and increases its structural rigidity so that it remains intact even after years of rigorous use. Horizon redefines sturdiness by complementing the classy design with robust underpinnings.





A BRIGHT STREAK OF QUALITY

HORIZON | Blend of Design & Grace

ISI MARKED FAN SPEED CONTROLLER

Horizon comes with impeccable safety and quality. The fan speed controller, for instance, bears the ISI mark and features a robust knob with firm grip. It ensures uniform fan speed and humming-free operation, delivers 99.99% efficiency, and imparts the feeling of reassuring quality every time.





AN ELEGANT
INTERPLAY
OF STYLE
AND POWER

**BIS APPROVED
2.4A USB
CHARGER**

Charge your electronic devices in style with the BIS approved Horizon 2.4A USB charger. The charger is flush with the frontplate and provides clean aesthetics. It is rated for higher output, and it charges your electronic devices quickly and reliably.



HORIZON WIRING DEVICES

SWITCHES - WHITE

ItemCode	Description	Module	Carton Qty.*
HW501WHI	6AX One Way Switch	1M	20
HW502WHI	6AX Two Way Switch	1M	20
HW503WHI	6AX One Way Switch with Indicator	1M	20
HW411WHI	16AX One Way Switch	1M	20
HW412WHI	16AX Two Way Switch	1M	20
HW413WHI	16AX One Way Switch with Indicator	1M	20
HW220WHI	25A SP One Way Switch with Indicator	1M	20
HW224WHI	32A DP Switch with Indicator	2M	12
HW505WHI	6A Bell Push Switch	1M	20
HW504WHI	6A Bell Push Switch with Indicator	2M	12

SOCKETS - WHITE

ItemCode	Description	Module	Carton Qty.*
HW420WHI	6A Universal Socket	2M	12
HW421WHI	6A Round Pin Socket (ISI Marked)	2M	12
HW424WHI	6/16A Socket (ISI Marked)	2M	12
HW426WHI	International Socket For 6/10/13A	2M	12
HW425WHI	25A Socket	2M	12

FAN SPEED CONTROLLER AND DIMMER - WHITE

ItemCode	Description	Module	Carton Qty.*
HW471WHI	100W 4 Step Fan Speed Controller (ISI)	1M	15
HW472WHI	120W 5 Step Fan Speed Controller (ISI)	2M	8
HW480WHI	400W Dimmer	2M	8

MINI TRIP MCB AND MOTOR STARTER - WHITE

ItemCode	Description	Module	Carton Qty.*
HW217WHI	25A Motor Starter	2M	6
HW227WHI	25A SP Minitrip MCB	1M	12
HW228WHI	25A DP Minitrip MCB	2M	6

COMMUNICATION ACCESSORIES - WHITE

ItemCode	Description	Module	Carton Qty.*
HW493WHI	RJ45 CAT6A	1M	20
HW491WHI	RJ45 Receptor	1M	20
HW492WHI	RJ11 2 Line with Shutter	1M	20

HORIZON WIRING DEVICES

SUPPORT ACCESSORIES - WHITE

ItemCode	Description	Module	Carton Qty.*
HW441WHI	Blank Plate	1M	20
HW451WHI	TV Coaxial Socket Outlet	1M	20
HW462WHI	Satellite Cable TV Outlet	1M	20
HW595WHI	Red Neon Indicator	1M	20
HW586WHI	2.1A 1 Port USB Charger	1M	15
HW587WHI	2.4A 2 Port USB Charger	2M	6

HOSPITALITY ACCESSORIES - WHITE

ItemCode	Description	Module	Carton Qty.*
HW901WHI	DND Indicator	1M	20
HW414WHI	Two Way Switch with DND Mark	1M	20
HW902WHI	MMR Indicator	1M	20
HW415WHI	Two Way Switch with MMR Mark	1M	20
HW529WHI	Shaver Socket	3M	1
HW527WHI	Energy Key Tag with Time Delay	3M	1
HW530WHI	LED Foot Lamp	2M	10

FRONT PLATES - WHITE

ItemCode	Description	Module	Carton Qty.*
HW101WHI	1 Module Front Plate	1M	10
HW102WHI	2 Module Front Plate	2M	10
HW103WHI	3 Module Front Plate	3M	8
HW104WHI	4 Module Front Plate	4M	8
HW106WHI	6 Module Front Plate	6M	8
HW18HWHI	8 Module Horizontal Front Plate	8M (H)	4
HW18VWHI	8 Module Square Front Plate	8M (S)	4
HW112WHI	12 Module Front Plate	12M	4
HW116WHI	16 Module Front Plate	16M	4
HW118WHI	18 Module Front Plate	18M	3

HORIZON WIRING DEVICES

SWITCHES - JET BLACK

ItemCode	Description	Module	Carton Qty.*
HW501BLK	6AX One Way Switch	1M	20
HW502BLK	6AX Two Way Switch	1M	20
HW411BLK	16AX One Way Switch	1M	20
HW413BLK	16AX One Way Switch with Indicator	1M	20
HW220BLK	25A SP One Way Switch with Indicator	1M	20
HW224BLK	32A DP Switch with Indicator	2M	12
HW505BLK	6A Bell Push Switch	1M	20

SOCKETS - JET BLACK

ItemCode	Description	Module	Carton Qty.*
HW420BLK	6A Universal Socket	2M	12
HW424BLK	6/16A Socket (ISI Marked)	2M	12
HW426BLK	International Socket For 6/10/13A	2M	12

FAN SPEED CONTROLLER - JET BLACK

ItemCode	Description	Module	Carton Qty.*
HW472BLK	120W 5 Step Fan Speed Controller (ISI)	2M	8

MINI TRIP MCB AND MOTOR STARTER - JET BLACK

ItemCode	Description	Module	Carton Qty.*
HW217BLK	25A Motor Starter	2M	6
HW227BLK	25A SP Minitrip MCB	1M	12

COMMUNICATION ACCESSORIES - JET BLACK

ItemCode	Description	Module	Carton Qty.*
HW493BLK	RJ45 CAT6A	1M	20
HW491BLK	RJ45 Receptor	1M	20
HW492BLK	RJ11 2 Line with Shutter	1M	20

SUPPORT ACCESSORIES - JET BLACK

ItemCode	Description	Module	Carton Qty.*
HW441BLK	Blank Plate	1M	20
HW462BLK	Satellite Cable TV Outlet	1M	20

FRONT PLATES - JET BLACK

ItemCode	Description	Module	Carton Qty.*
HW101BLK	1 Module Front Plate	1M	10
HW102BLK	2 Module Front Plate	2M	10
HW103BLK	3 Module Front Plate	3M	8
HW104BLK	4 Module Front Plate	4M	8
HW106BLK	6 Module Front Plate	6M	8
HW18HBLK	8 Module Horizontal Front Plate	8M (H)	4
HW18VBLK	8 Module Square Front Plate	8M (S)	4
HW112BLK	12 Module Front Plate	12M	4
HW116BLK	16 Module Front Plate	16M	4
HW118BLK	18 Module Front Plate	18M	3

HORIZON WIRING DEVICES

SWITCHES - GRAPHITE GREY

ItemCode	Description	Module	Carton Qty.*
HW501GRY	6AX One Way Switch	1M	20
HW502GRY	6AX Two Way Switch	1M	20
HW411GRY	16AX One Way Switch	1M	20
HW413GRY	16AX One Way Switch with Indicator	1M	20
HW220GRY	25A SP One Way Switch with Indicator	1M	20
HW224GRY	32A DP Switch with Indicator	2M	12
HW505GRY	6A Bell Push Switch	1M	20

SOCKETS - GRAPHITE GREY

ItemCode	Description	Module	Carton Qty.*
HW420GRY	6A Universal Socket	2M	12
HW424GRY	6/16A Socket (ISI Marked)	2M	12
HW426GRY	International Socket For 6/10/13A	2M	12

FAN SPEED CONTROLLER - GRAPHITE GREY

ItemCode	Description	Module	Carton Qty.*
HW472GRY	120W 5 Step Fan Speed Controller (ISI)	2M	8

MINI TRIP MCB AND MOTOR STARTER - GRAPHITE GREY

ItemCode	Description	Module	Carton Qty.*
HW217GRY	25A Motor Starter	2M	6
HW227GRY	25A SP Minitrip MCB	1M	12

COMMUNICATION ACCESSORIES - GRAPHITE GREY

ItemCode	Description	Module	Carton Qty.*
HW493GRY	RJ45 CAT6A	1M	20
HW491GRY	RJ45 Receptor	1M	20
HW492GRY	RJ11 2 Line with Shutter	1M	20

SUPPORT ACCESSORIES - GRAPHITE GREY

ItemCode	Description	Module	Carton Qty.*
HW441GRY	Blank Plate	1M	20
HW462GRY	Satellite Cable TV Outlet	1M	20

FRONT PLATES - GRAPHITE GREY

ItemCode	Description	Module	Carton Qty.*
HW101GRY	1 Module Front Plate	1M	10
HW102GRY	2 Module Front Plate	2M	10
HW103GRY	3 Module Front Plate	3M	8
HW104GRY	4 Module Front Plate	4M	8
HW106GRY	6 Module Front Plate	6M	8
HW18HGRY	8 Module Horizontal Front Plate	8M (H)	4
HW18VGRY	8 Module Square Front Plate	8M (S)	4
HW112GRY	12 Module Front Plate	12M	4
HW116GRY	16 Module Front Plate	16M	4
HW118GRY	18 Module Front Plate	18M	3

HORIZON WIRING DEVICES

FRONT PLATES - RED OAK WOOD

ItemCode	Description	Module	Carton Qty.*
HW101WDD	1 Module Front Plate	1M	10
HW102WDD	2 Module Front Plate	2M	10
HW103WDD	3 Module Front Plate	3M	8
HW104WDD	4 Module Front Plate	4M	8
HW106WDD	6 Module Front Plate	6M	8
HW18HWDD	8 Module Horizontal Front Plate	8M (H)	4
HW18VWDD	8 Module Square Front Plate	8M (S)	4
HW112WDD	12 Module Front Plate	12M	4
HW116WDD	16 Module Front Plate	16M	4
HW118WDD	18 Module Front Plate	18M	3

FRONT PLATES - CRIMSON RED

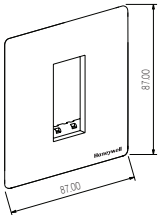
ItemCode	Description	Module	Carton Qty.*
HW101RED	1 Module Front Plate	1M	10
HW102RED	2 Module Front Plate	2M	10
HW103RED	3 Module Front Plate	3M	8
HW104RED	4 Module Front Plate	4M	8
HW106RED	6 Module Front Plate	6M	8
HW18HRED	8 Module Horizontal Front Plate	8M (H)	4
HW18VRED	8 Module Square Front Plate	8M (S)	4
HW112RED	12 Module Front Plate	12M	4
HW116RED	16 Module Front Plate	16M	4
HW118RED	18 Module Front Plate	18M	3

FRONT PLATES - CHAMPAGNE GOLD

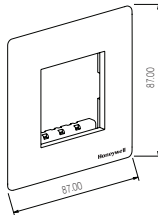
ItemCode	Description	Module	Carton Qty.*
HW101GLD	1 Module Front Plate	1M	10
HW102GLD	2 Module Front Plate	2M	10
HW103GLD	3 Module Front Plate	3M	8
HW104GLD	4 Module Front Plate	4M	8
HW106GLD	6 Module Front Plate	6M	8
HW18HGLD	8 Module Horizontal Front Plate	8M (H)	4
HW18VGLD	8 Module Square Front Plate	8M (S)	4
HW112GLD	12 Module Front Plate	12M	4
HW116GLD	16 Module Front Plate	16M	4
HW118GLD	18 Module Front Plate	18M	3

FRONT PLATES

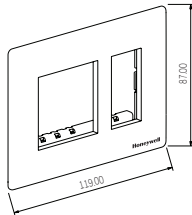
DIMENSIONS



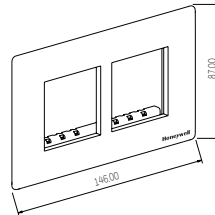
1M



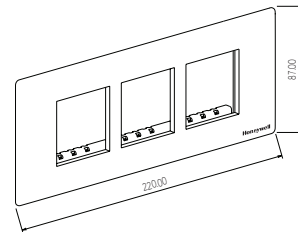
2M



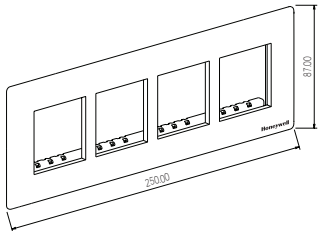
3M



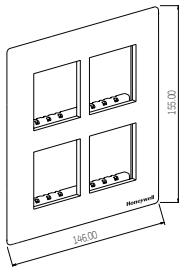
4M



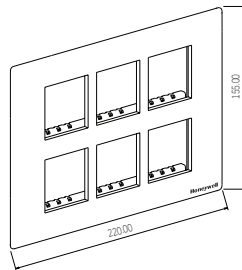
6M



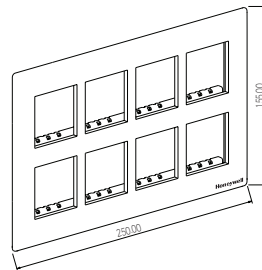
8M (H)



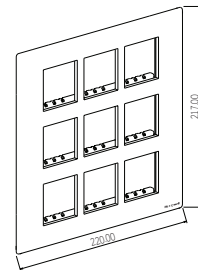
8M (S)



12M



16M

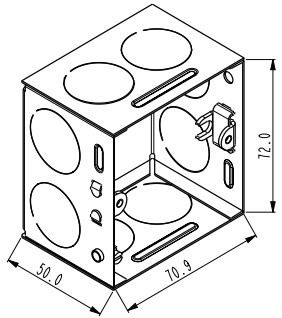


18M

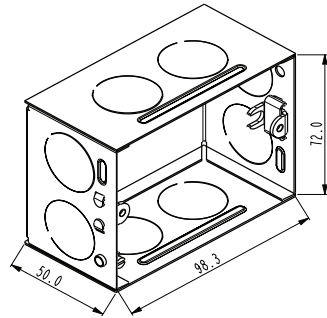
All dimensions are in mm.

METAL BOXES

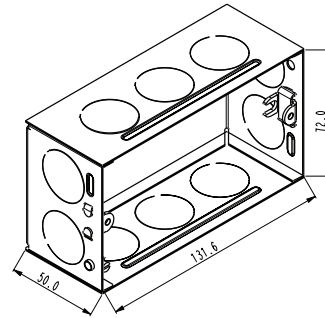
DIMENSIONS



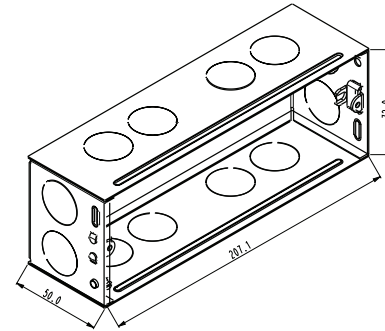
1M & 2M



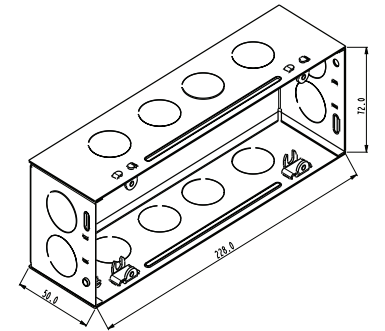
3M



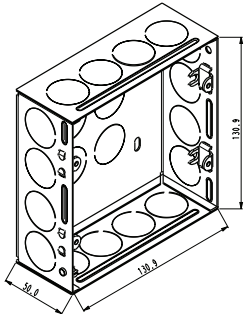
4M



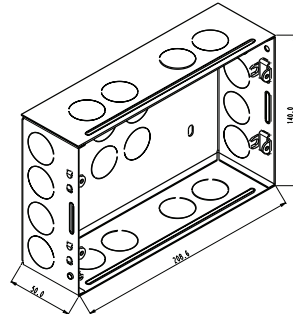
6M



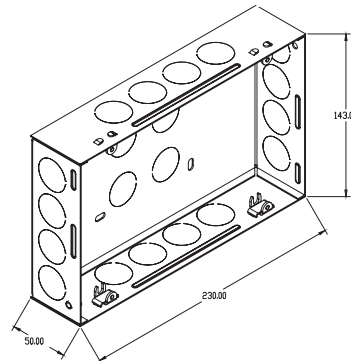
8M (H)



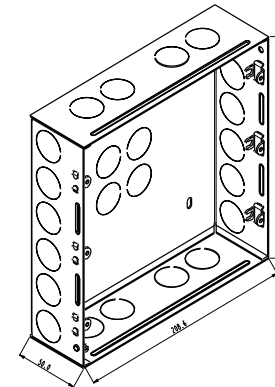
8M (S)



12M



16M

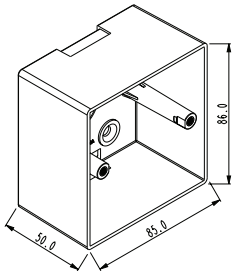


18M

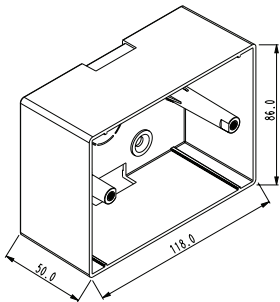
All dimensions are in mm.

PLASTIC SURFACE BOXES

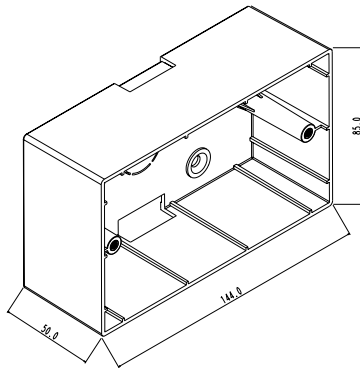
DIMENSIONS



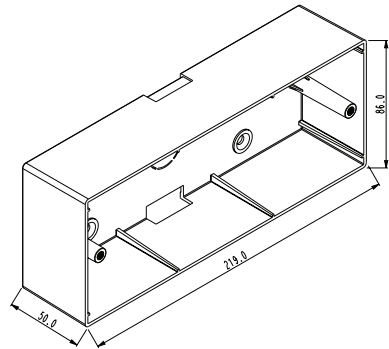
1M & 2M



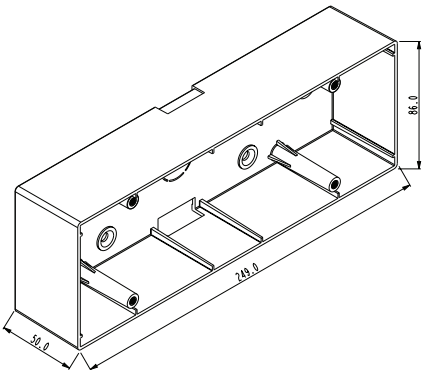
3M



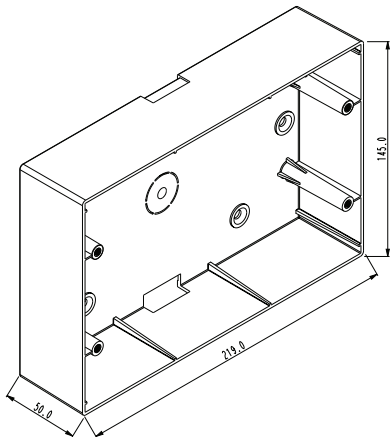
4M



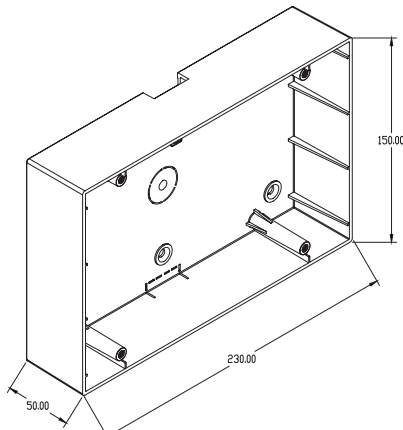
6M



8M



12M



16M

All dimensions are in mm.

GURUGRAM

Unitech Trade Center,
5th Floor, Sector 43, Block C,
Sushant Lok, Phase 1,
Gurgaon - 122 022
Tel: +91-124-4975050
Fax: +91-124-6715014
E-mail: eccdelhi@honeywell.com

BARODA

2nd Floor, Startrek,
Opp. Rajlakshmi Complex,
Old Padra Road,
Baroda - 390 005
Tel: +91-265-6699600
Fax: +91-265-6699610
E-mail: eccbaroda@honeywell.com

MUMBAI

Eco-elite Building,
2nd Floor,
Marol Maroshi Road, Marol,
Next to Zakaria Industrial Estate,
Andheri (E), Mumbai - 400 059
Tel: +91-22-67650680/81
Fax: +91-22-67650682
E-mail: eccmumbai@honeywell.com

PUNE

Plot No. 56/57,
Hadapsar Industrial Estate,
Pune - 411 013
Tel: +91-20-66039400
Fax: +91-20-66039800
Email: eccpune@honeywell.com

KOLKATA

Srijan Techpark,
8th Floor, DN-52,
Salt Lake, Sector-V,
Kolkata - 700 091
Tel: +91-33-66283693/94
Fax: +91-33-66283701
E-mail: ecckolkata@honeywell.com

BENGALURU

3rd Floor, Chambers @ Mantri,
Municipal No. 10,
Richmond Road,
Bengaluru - 560 025
Tel: +91-80-67124120/21/22/23
E-mail: eccbangalore@honeywell.com

CHENNAI

5th, 6th & 7th Floor,
KRM Plaza, North Tower,
#2 Harrington Road,
Chetpet, Chennai - 600031
Tel: +91-44-66085600
Email: eccchennai@honeywell.com

HYDERABAD

8-2-418, Krishnama House,
3rd Floor, Road No. 7,
Banjara Hills,
Hyderabad - 500 034
Tel: +91-40-66030900/70
Fax: +91-40-66030971
E-mail: ecchyderabad@honeywell.com

**FOR FURTHER DETAILS,
PLEASE REACH US AT :**

Toll Free Number : 1800-103-3848
Monday to Saturday : 10AM - 07PM
Whatsapp : +91 81306-91299
email : eesteamindia@honeywell.com
website : honeywellsmarthomes.com