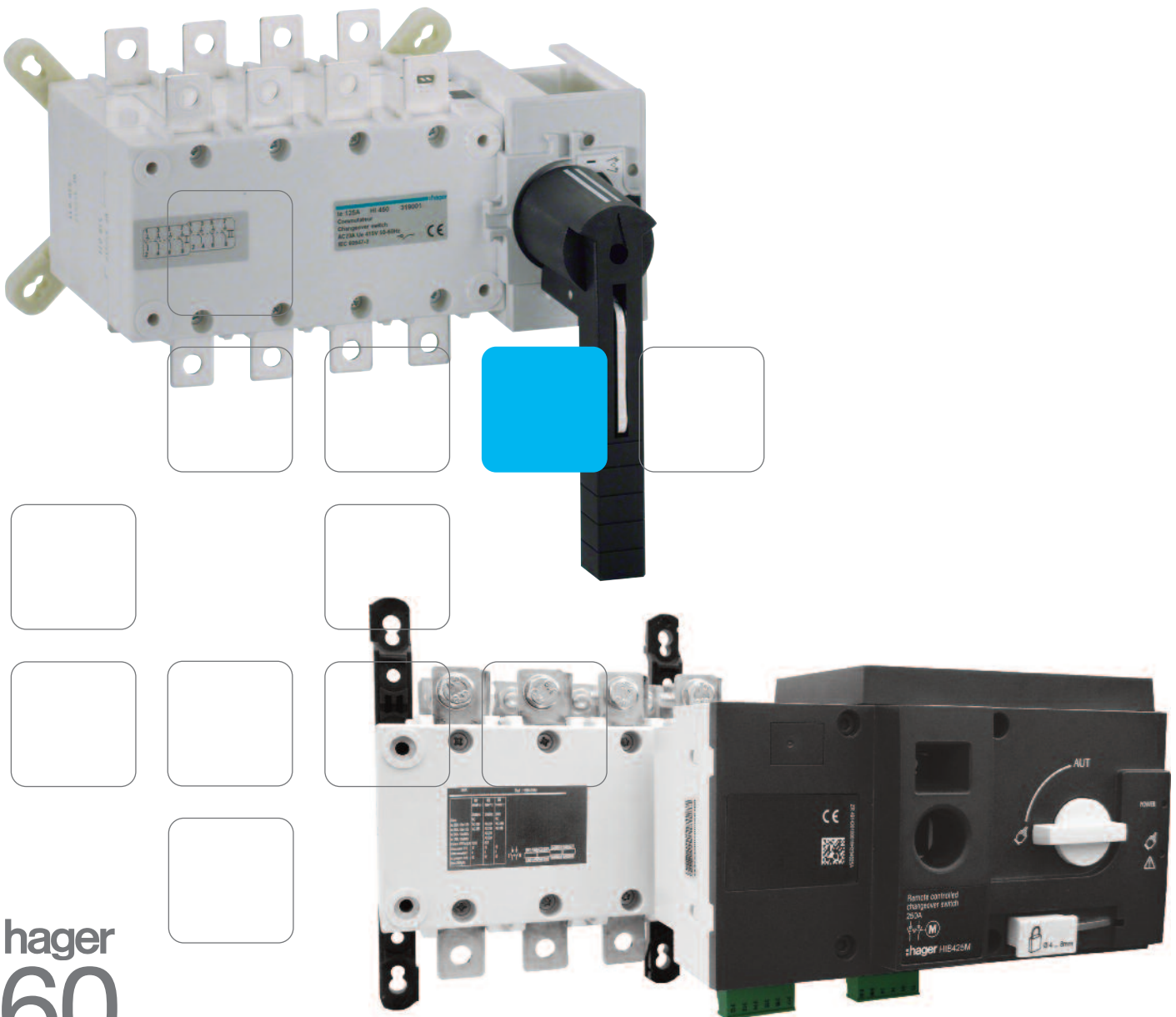
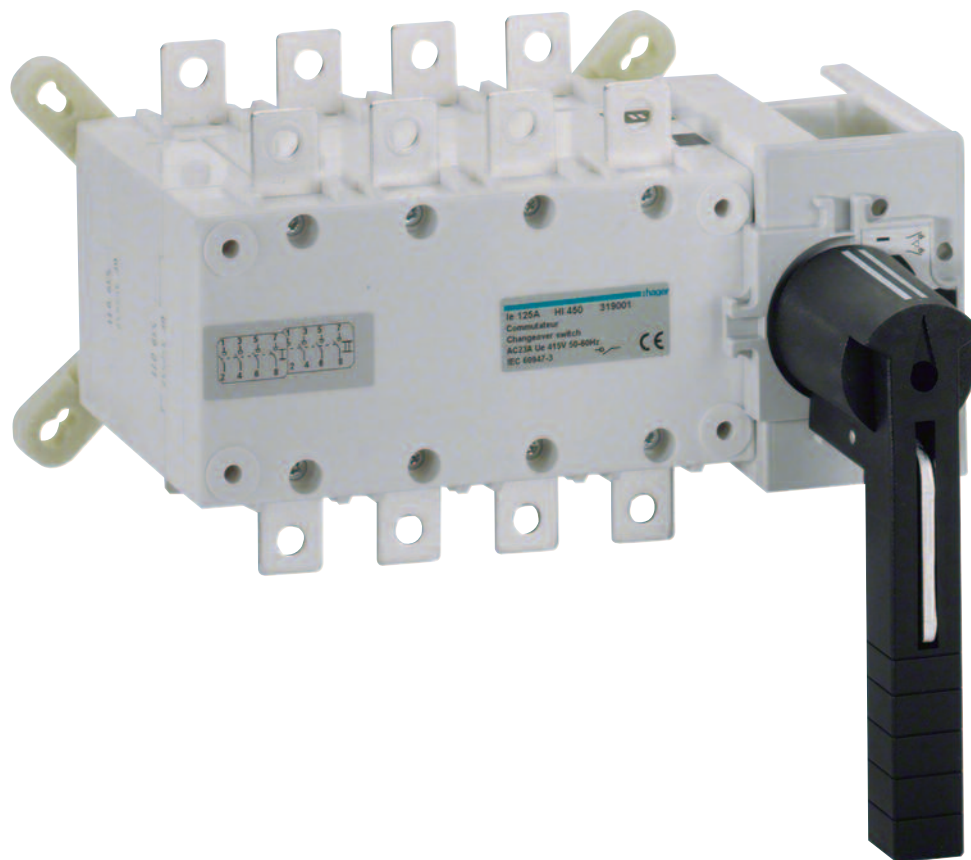


Manual changeover switches & Automatic transfer switches



Manual Changeover Switches

63A to 1600A



Advantages for you :

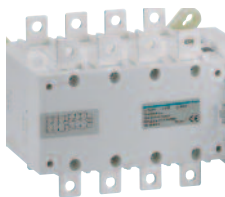
- Double break per pole facilitating suitability for isolation as per IEC 60947-3
- Safe isolation at 0 position for maintenance
- Compact dimension to save panel space
- Flexibility to mount accessories on site
- Voltage free stable position contact (I, 0, II)
- Line load reversibility
- Silver plated contact for long life

Technical data :

- Complies with IEC 60947-3
- Rating: 63A - 1600A
- Suitable for AC23
- Lockable position: 0

Expert tips

1



Quick switching operation
by spring action with sweeping silver contacts

3



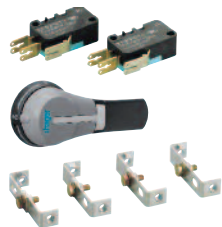
Compact dimension
with back to back terminals

2



3 stable position changeover
with padlocking at zero position for maintenance on direct & extended handle

4



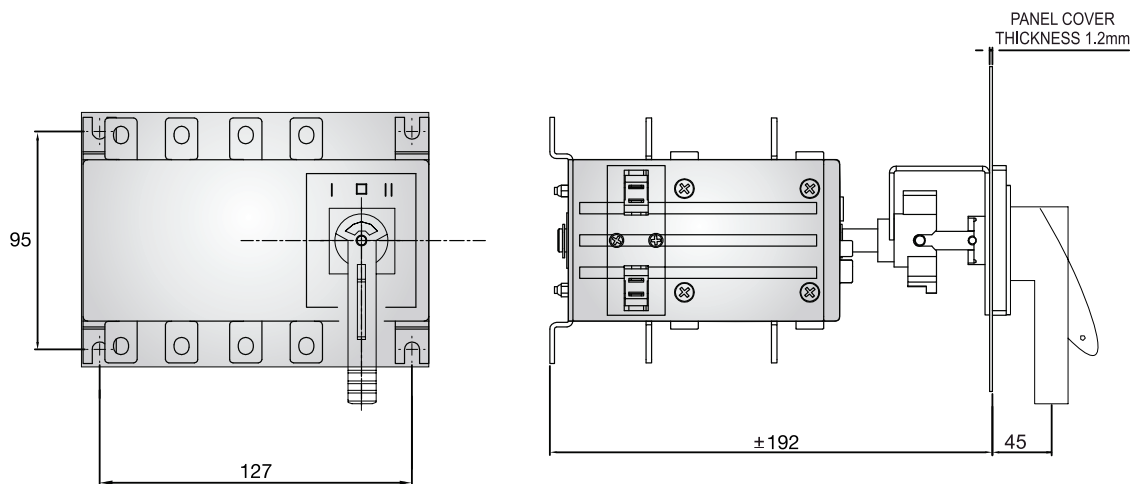
Site mountable wide
range of accessories based on application needs

Technical characteristics

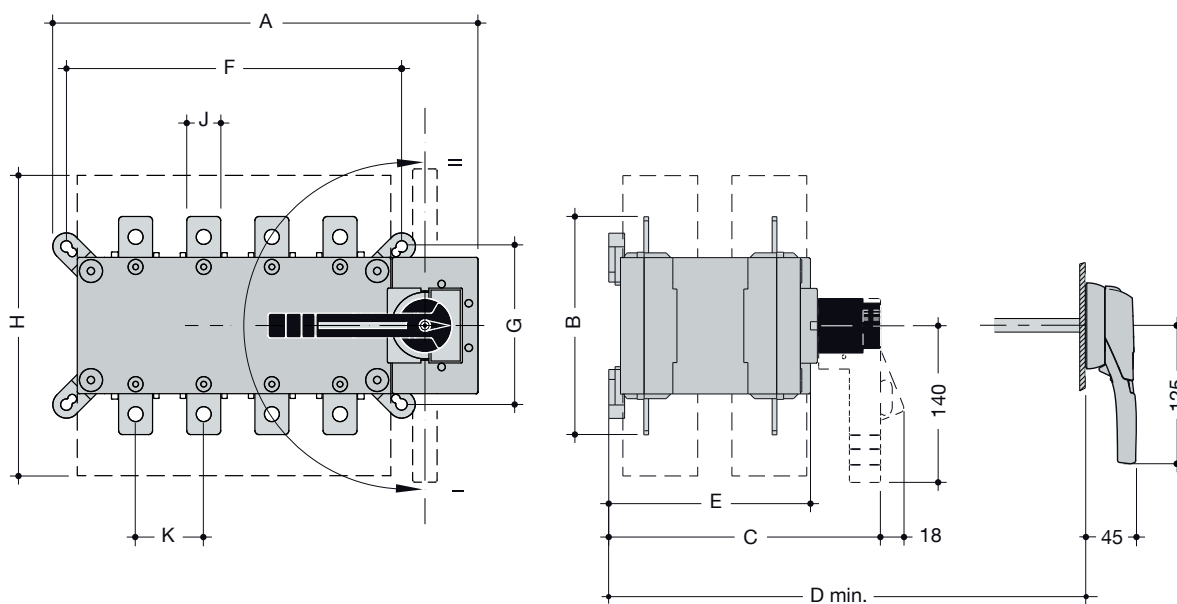
	HI403i	HI405i	HI451i	HI452i	HI453i	HI454i	HI455i	HI456i	HI458i	HI460i	HI461i	HI462i	HI464i
In	63 A	100 A	125 A	160 A	200A	250 A	315A	400 A	630 A	800 A	1000A	1250 A	1600 A
insulation voltage U_i (V)	750	750	800	800	800	800	1000	800	1000	1000	1000	1000	1000
impulse withstand voltage U_{imp} (kV)	6	6	8	8	8	12	12	8	12	12	12	12	12
le AC 22A / 22B, 400 V (A)	63	100	125	160	200	250	315	400	630	800	1000	1250	1600
le AC 23A / 23B, 400 V (A)	63	100	125	160	200	250	315	250	500	800	1000	1250	1600
operational power (kW) AC 23A à 400 V	30	30	63	80	80	132	132	220	280	450	710	710	710
short circuit current with gG DIN fuses (kA)	80	80	100	100	50	50	50	18	70	50	100	100	100
associated fuse rated (A)	63	100	125	160	200	250	315	400	630	800	1000	1250	2 x 800
rated short circuit making capacity I_{cm} (kA peak)	15	15	12	12	12	17	22	15,3	30	48	75	75	86
rated short time withstand current I_{cw} (kA/1s)	5	5	7	7	7	9	9	9	13	26	35	50	50
mechanical endurance (cycles)	10000	10000	10000	10000	10000	10000	10000	8000	5000	3000	10000	4000	4000
connection for lugs (mm ²)	16	25	50	95	120	150	240	240	2 x 300	2 x 300	4 x 185	4 x 185	6 x 185

Dimensions diagram (in mm)

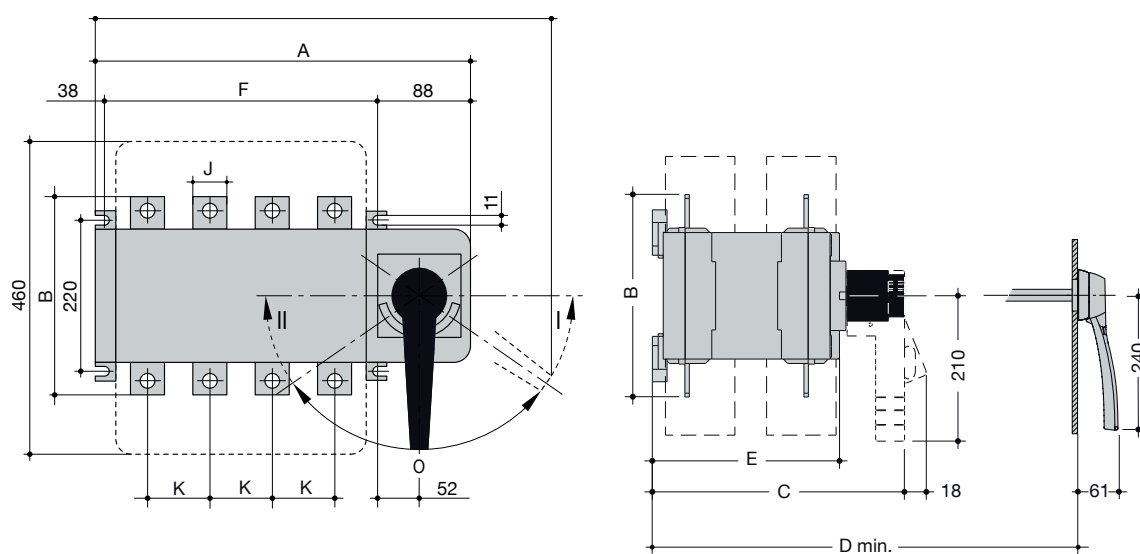
63A - 100A (HI403I & (HI405I)



125A - 630A



800A - 1600A



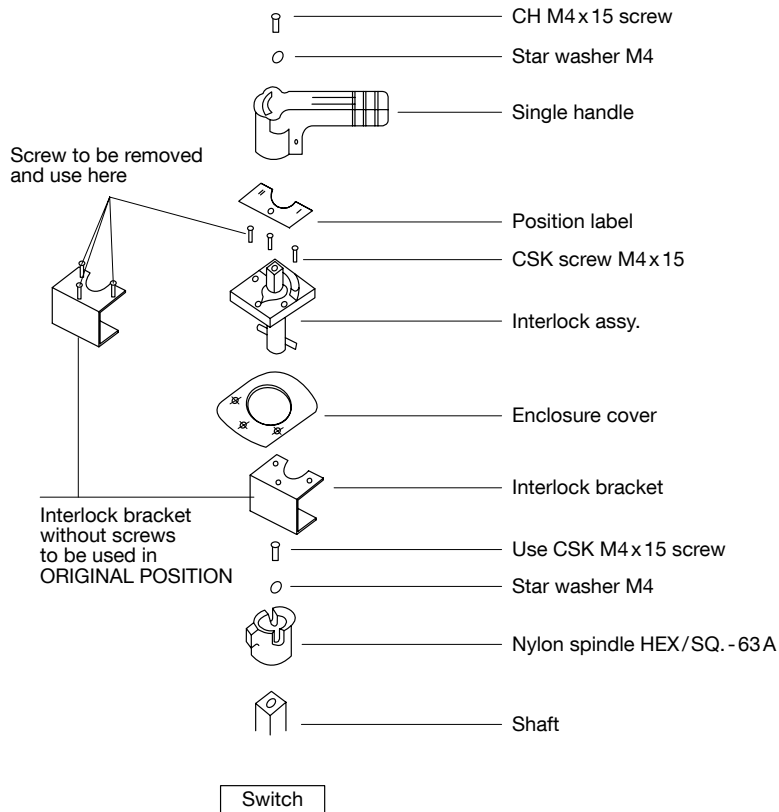
Dimensions (in mm)

	Rating	A	B	C	D	E	F	G	H	J	K	L
HI4511	125A	251	135	218	208	148	186	101	235	20	36	-
HI4521	160A	251	135	218	208	148	186	101	235	20	36	-
HI4531	200A	251	160	218	208	148	246	116	280	20	50	-
HI4541	250A	312	160	218	208	148	246	116	280	25	50	-
HI4551	315A	312	170	218	208	148	246	116	280	35	50	-
HI4561	400A	312	170	218	208	148	246	116	280	35	50	-
HI4581	630A	379	260	295	285	225	306	176	400	45	65	-
HI4601	800A	460	320	374	390	302	335	220	460	50	80	609
HI4611	1000A	466	321	375	425	298	336	250	459	50	80	-
HI4621	1250A	592	330	374	390	302	467	220	460	60	120	741
HI4641	1600A	592	360	374	390	302	467	220	460	90	120	741

Fixing of door interlock mechanism

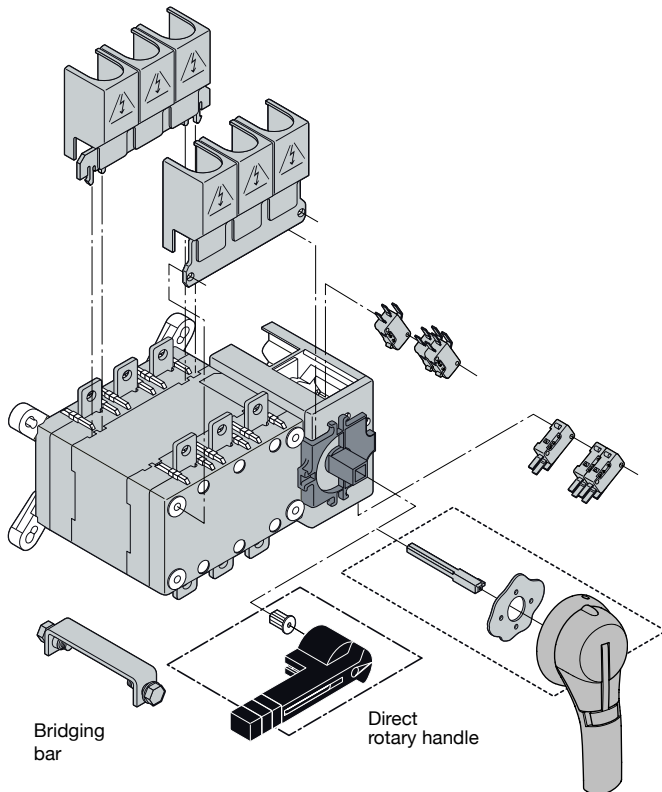
Rating: 63A - 100A

Change over switch



Mounting

Rating: 125A - 630A

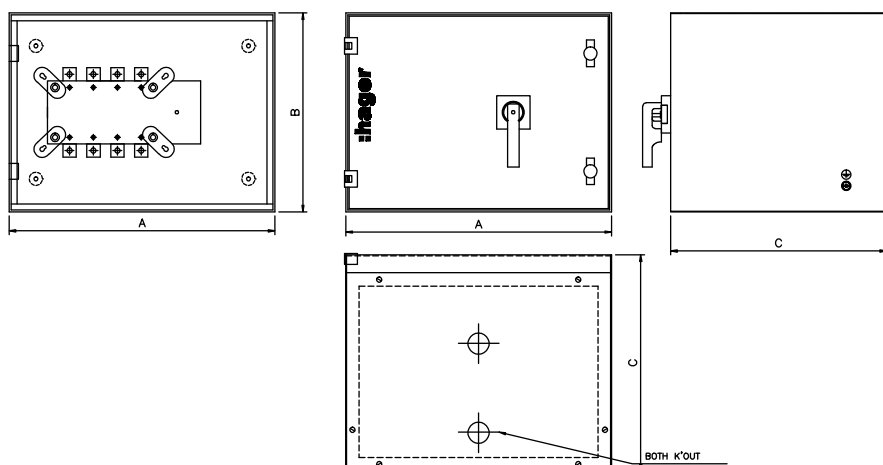


Enclosure for Manual Changeover Switch



Note: Enclosures are supplied assembled together with Manual Changeover Switch

Diagram:

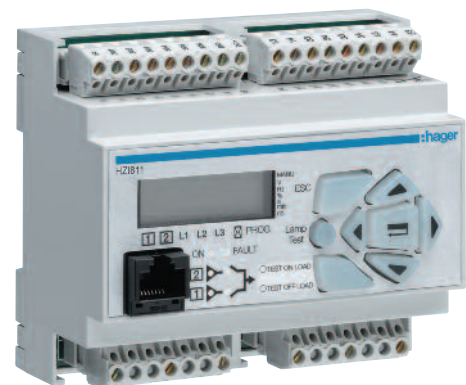


Dimensions (in mm)

	Rating	A	B	C	K'OUT
VYE63M	63A	250	202	205	32
VYE100M	100A	250	202	205	32
VYE125M	125A	355	350	275	32
VYE160M	160A	355	350	275	32
VYE250M	250A	420	410	275	50
VYE400M	400A	420	410	275	50
VYE630M	630A	520	580	353	50
VYE800M	800A	610	680	538	50
VYE1000M	1000A	800	680	538	50
VYE1250M	1250A	800	680	538	50
VYE1600M	1600A	800	680	538	50

Automatic Transfer Switches

125A to 1600A



Advantages for you :

- Manual override function for emergency operations
- Flexibility to have line load reversibility
- Voltage free stable position contact (I, 0, II)
- Changeover position indicator
- LED indicator of power ON and manual override
- Padlocking facility at zero position in manual mode for maintainance
- Emergency stop command option with external push button

Technical data :

- Complies with IEC 60947-6-1
- Rating: 125A - 1600A
- Suitable for AC33B
- Lockable position: 0

Expert tips

1



Padlocking facility
in manual mode for position 0

4



Position indicator

2



Line load reversibility

5



Power ON and Manual override indicator

3



Emergency manual operation by removable handle

6



Plug-in terminals

Automatic Transfer Switches

controller



Advantages for you :

- Easy parameter display using remote interface
- Controller with On / Off load testing facility
- Controller with Genset Start / Stop option
- Plugin terminals for convenient wiring
- LED indication of source and changeover status

Features :

- Voltage monitoring
- Frequency monitoring
- Phase sequence monitoring
- No auxiliary supply required
- Security access codes for programming and testing

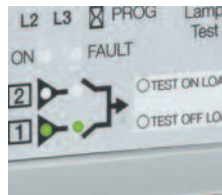
Expert tips

1



Controller with LCD for parameter display
for easy monitoring and flexibility to modify parameters

4



LED Indication
of source availability and changeover position

2



Genset Start / Stop function
enables convenient control of Genset during power failure

5



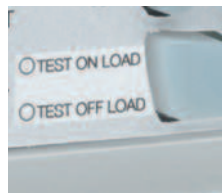
Over / Under voltage, Over / Under frequency
Phase sequence monitoring and adjustable delay timers

3



RJ45 port
allows easy communication with Remote Interface

6



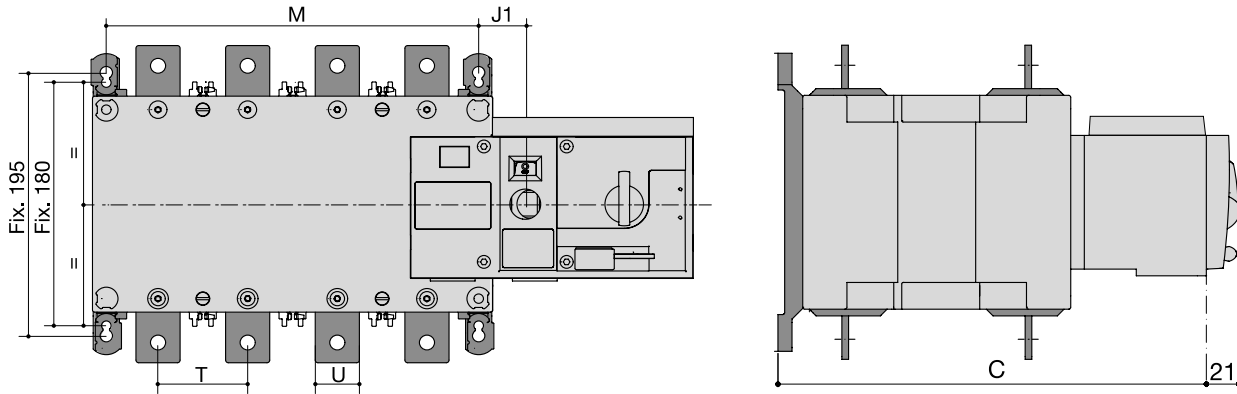
ON-OFF load testing
facility for the system

Technical characteristics

	HIB412I	HIB416I	HIB420I	HIB425I	HIB440I	HIB463I	HIB480I	HIB490I	HIB491I	HIB492I
rated current I _n	125 A	160 A	200A	250 A	400 A	630 A	800 A	1000 A	1250 A	1600 A
rated insulation voltage U _i (V)	800	800	800	1000	1000	1000	1000	1000	1000	1000
rated impulse withstand voltage U _{imp} (kV)	8	8	8	12	12	12	12	12	12	12
I _e AC 31B, 415 V (A)	125	160	200	250	400	630	800	1000	1250	1600
I _e AC 32B, 415 V (A)	-	-	-	200	400	500	800	1000	1250	1600
I _e AC 33B, 415 V (A)	-	-	-	200	200	400	800	1000	1250	1000
short circuit current with gG DIN fuses (kA)	100	100	50	50	50	50	50	100	100	100
associated fuse rated (A)	125	160	200	250	400	630	800	1000	1250	2 x 800
rated peak making capacity (kA peak)	20	20	20	30	30	45	55	55	80	110
rated short time withstand current I _{cw} (kA/1s)	7	7	7	8	8	10	26	35	50	50
mechanical endurance (cycles)	10000	10000	10000	8000	8000	5000	4000	4000	4000	3000
lugs connection (mm ²) MAX	50	95	120	150	240	2 x 300	2 x 300	4 x 185	4 x 185	6 x 185

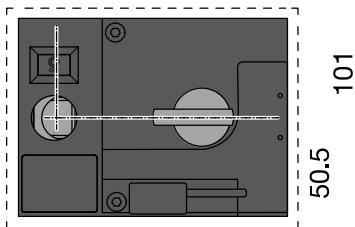
Automatic transfer switches

HIB412I - HIB463I



Door cut-out for front panel

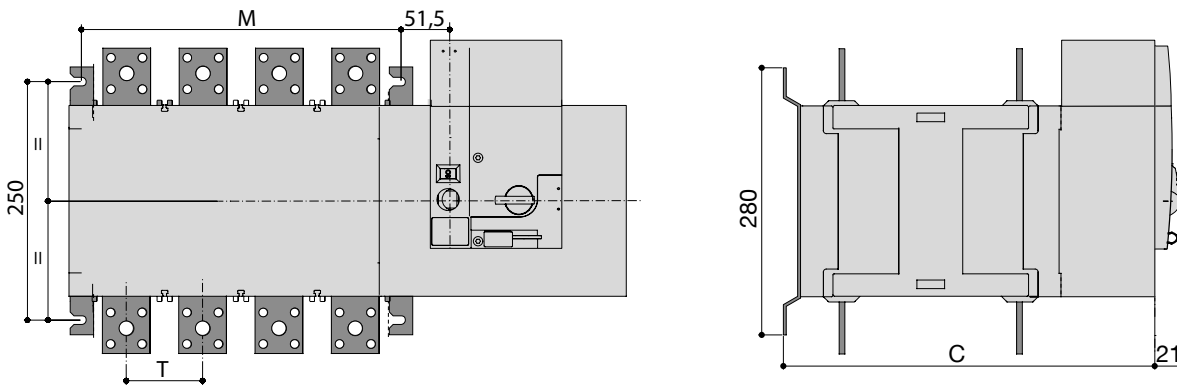
20



Dimensions (in mm)

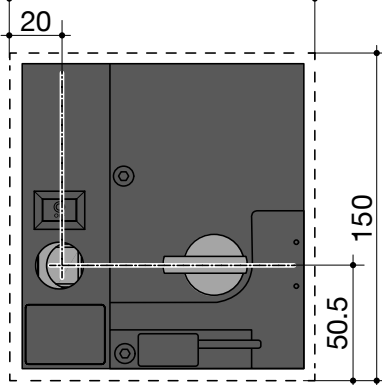
	125A	160A	200A	250A	400A	630A
	4P					
J1	34	34	34	35	34	34
M	150	150	150	210	210	270
T	36	36	36	50	50	65
C	244	244	244	244	244	320
U	20	20	20	25	35	45
W	9	9	9	11	11	13
CA	10	10	10	15	15	20

HIB480I - HIB492I



Door cut-out for front panel

138



Dimensions (in mm)

	800A	1000A	1250A	1600A
	4P			
M	335	335	335	467
T	80	80	80	120
C	391	391	391	523



Where
is my
nearest
Hager
contact
person?

Always Near

1 North

NCR
Haryana
Uttar Pradesh
Uttarakhand

2 North West

Punjab
Chandigarh
Himachal Pradesh
J&K
Rajasthan

3 West

Greater Mumbai
Gujarat
Goa
Madhya Pradesh

4 Central

Maharashtra
(without Greater Mumbai)
Chattisgarh
Telangana
Andhra Pradesh

5 South

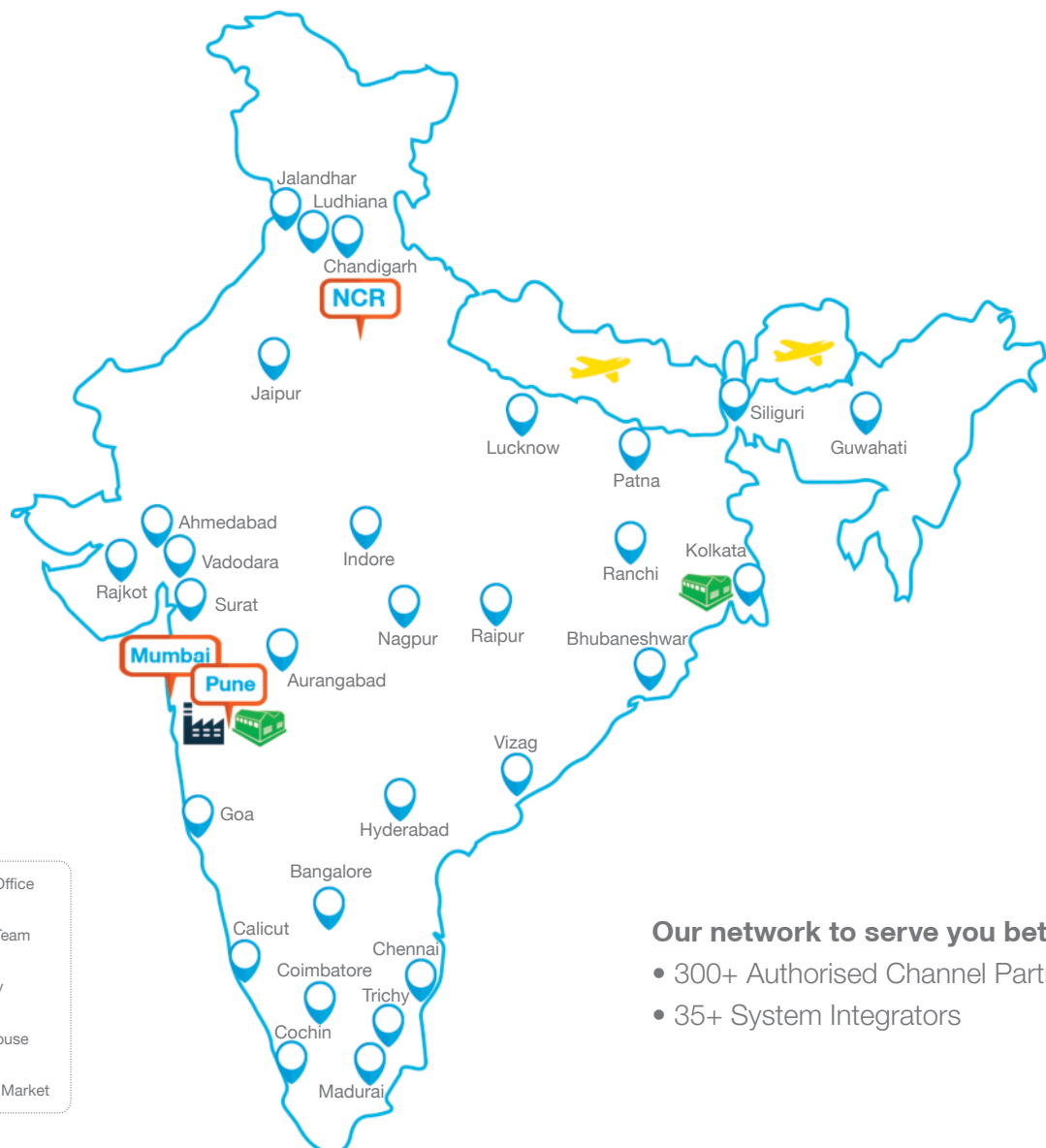
Tamilnadu
Pondicherry
Karnataka
Kerala

6 East






West Bengal
Orissa
Bihar
Jharkhand
North East

7 Nepal

8 Bhutan



Legends

-  Sales Office
-  Sales Team
-  Factory
-  Warehouse
-  Export Market

Our network to serve you better...

- 300+ Authorised Channel Partners
- 35+ System Integrators

* Product development is an continuous process and hence the described content in the catalogue are subject to change without prior notice.
Contact your nearest Hager Partner for the latest information.

**Hager Electro Private Limited
Sales & Marketing office :**

Office 2A, First Floor
North Court Building
Opposite Joggers Park
Kalyani Nagar
Pune-411006
India

Tel: +91 20 41477500
Fax: +91 20 41477510
Toll free no.: 1800 103 5440
Email: hagerwow@hager.co.in
Website: www.hager.co.in

Delhi Sales Office :

B 217 Tower B
DLF Towers, Jasola
New Delhi-110025
India

Tel: +91 11 49677500
Fax: +91 11 49677555

Mumbai Sales Office :

Office # 1301A, Tower 3
Indiabulls Finance Centre
Elphinstone Road
Mumbai-400013
India

Tel: +91 22 71813200

Hager Electro SAS:

132 Boulevard d' Europe
BP 78
F-67212 Obernai
France

