

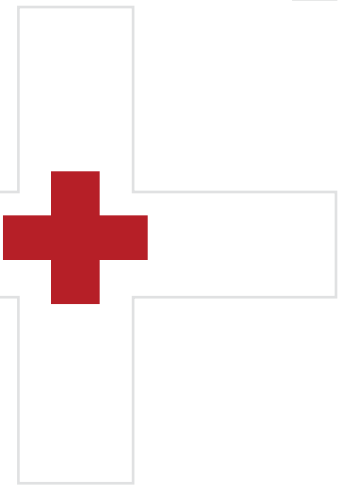


CaretronTM +

PLUS ON DESIGN
ON SAFETY
ON CONVENIENCE



CaretronTM +





The Name India Trusts

Ever since 1958, we have proven prowess in celebrating and safeguarding India's happiness. IndoAsian has consistently kept pace with the evolving needs of the market and has over the decades, reinforced its reputation as a tried, tested and trusted brand. After extensively gauging the market, we have developed a wide spectrum of products that don't just meet but exceed the expectations of its customers.

DESIGN

Caretron+ is the result of a lot of intelligent design. We at IndoAsian have constantly improve our ideas to incorporate new designs, technologies and materials. We are regularly gauging the pulse of the people and have changed shapes, sizes, colours and designs so that our products perfectly match the needs and conditions of Customers. Our focus on design is two-fold – to improve the aesthetics of the product and to add greater functionality.



RELIABILITY

For several decades we have been earning the trust and goodwill of our customers, the trade and business associates. We are constantly striving to raise the standards and set new benchmarks with improved products, wider ranges and streamlined systems and processes. As a trusted and much preferred brand, IndoAsian has become a pillar of reliability for people everywhere. With changing times and needs, we are consistently evolving – inducting new technologies, materials and ideas to keep crafting and offering innovative solutions for all.



SAFETY

In the sphere of electrical equipment and safety, there is absolutely no room for compromise. We understand that safety is of paramount importance and have left no stone unturned in ensuring that the highest standards are followed meticulously and consistently. Designs, materials and technologies have been carefully selected so that people and homes are always safe and secure.



RANGE

At IndoAsian, we understand the needs of people and have designed our products with an assortment of features and functions. Different specifications and capabilities are built into our products to cater to the varying needs of the people. Caretron+ offers an innovative range of distribution boards, available in SPN, TPN, VPN, etc. in both single and double door variants. Currently the range includes 7 types of Distribution Boards.





Caretron+ Distribution Boards

Electrical Distribution Boards have evolved over time. It is no longer just a metal enclosure, but a purposefully designed composite system. Crafted from steel, distribution boards safely channel power received from a single source to various circuits. Depending on the number of power destinations, distribution boards may have single or a double door; and are equipped with copper busbars, neutral links, and earth links to facilitate efficient and safe distribution of current.

Caretron+ offers a complete and versatile range of sleek, elegant and economical distribution boards, that integrate performance with aesthetics, making them suitable for residential, commercial and industrial applications. To ensure greater durability, the new range of distribution boards from Caretron+ is manufactured with high precision and high quality CRCA Steel Sheets. All Caretron+ DBs are RoHS compliant.

To further enhance durability and finish, the boards go through a superior anti-rust process of phosphatizing. Caretron+ is available in an elegant matt finish. The boards are perfectly matched with MCB & RCCB to provide comprehensive protection as a complete system.



Caretron + Distribution Boards- Feature Packed!

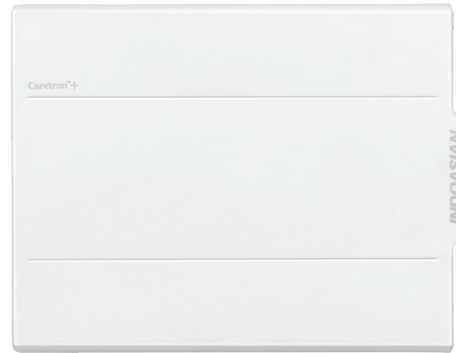
Caretron+ is fast getting established as the preferred choice of prudent people, as it incorporates so many winning features that meet the needs of different installations.



Spectacular Design

It boasts a smart design and unique finish that matches perfectly and easily with all kinds of interiors.





Unique Look

The board is available in a stylish space saving design with minimal wall projection, which enhances its aesthetics. It is now a board you don't want to hide in a corner!



Added Safety

The neutral link comes with Provision for shrouds to prevent accidental contact with live parts, offering a safety to all users.



Enhanced Safety

Earthing is a thoughtful feature that makes the DB shockproof for users.



International Safety Standard

Designed as per Internationally accepted Standard IEC 61439-3, IS-8623, IS-13032.





Earthing Bolts

Both sides of the DB are equipped with earthing bolts for preventive earthing



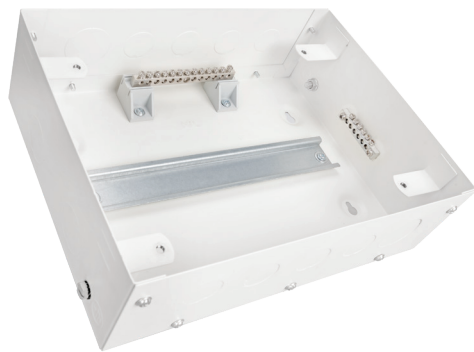
Insertion Marks

To help the mason fit the back box at the correct depth in the wall, box insertion marks have been embossed. The right and left side marks help in identifying the brick and plaster level respectively.



Flush or Surface Mounting

For added convenience, mounting key holes are provided in every board as an option for surface mounting.



Ease of Installation & wiring

Ample space are provided for assembly of MCBs on channel/ din rail and wiring. Adequate wiring space is provided to ensure proper dressing of neutral & earthing wires





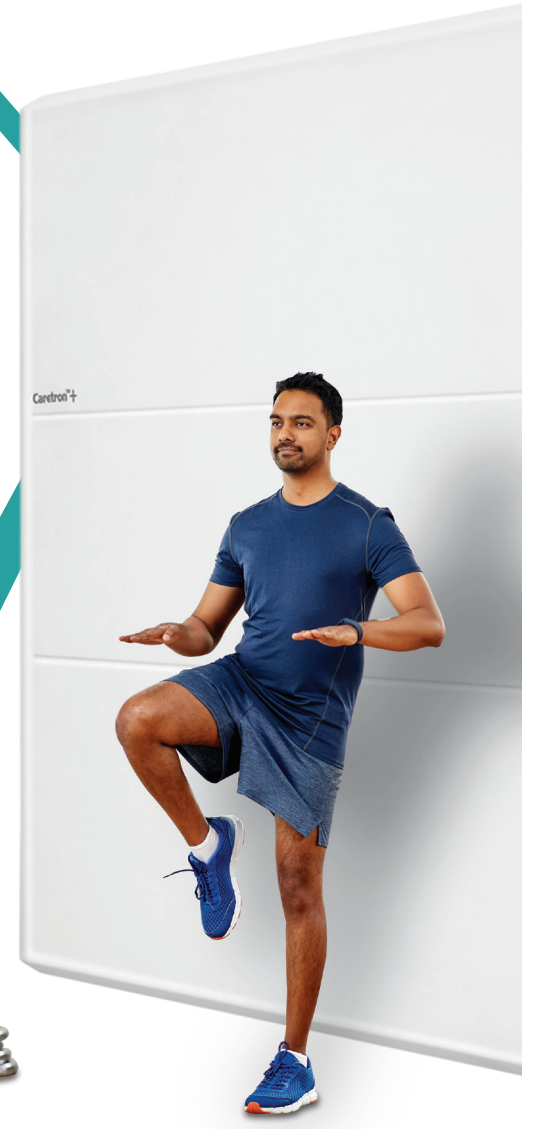
Detachable Gland Plates & Different sizes of Knock-outs

Detachable Gland Plates with more knock outs of different sizes from Ø 35mm to Ø 25mm have been provided which can be removed during fitment of more conduits. Knock outs are also available on the top and side walls of the board.



Circuit Identification Label

The board has a clearly visible sticker for easy identification of the modular device linked to a particular circuit. This is important information, both at the time of installation and servicing.



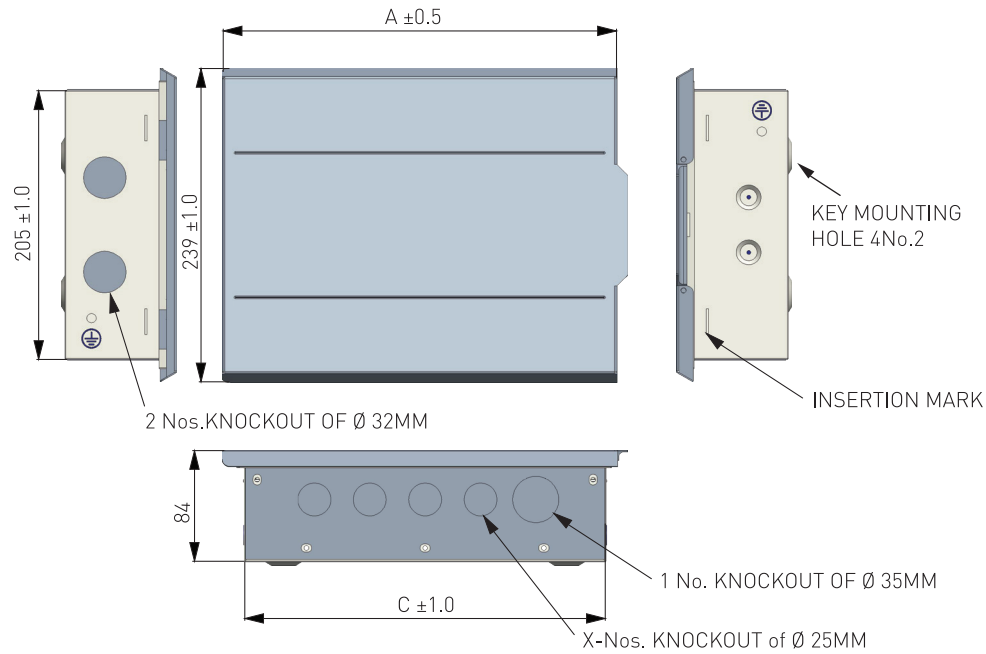


Standard Accessories

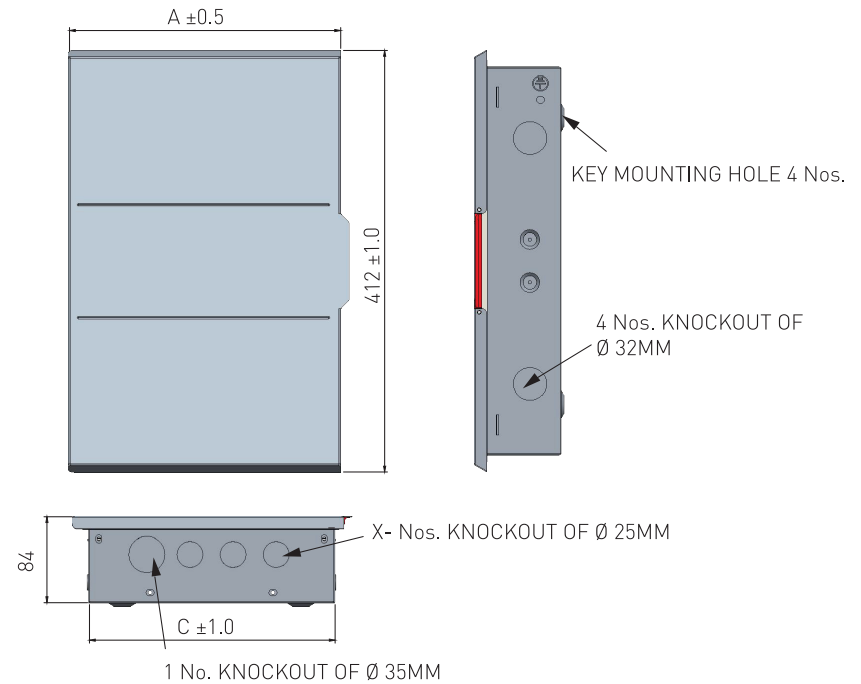
Removable blank plates, busbar(63A) and colour-coded, interconnected complete wire set is provided for internal wiring of the distribution board.

Dimensions

SPN CARETRON+ DB



TPN CARETRON+ DB

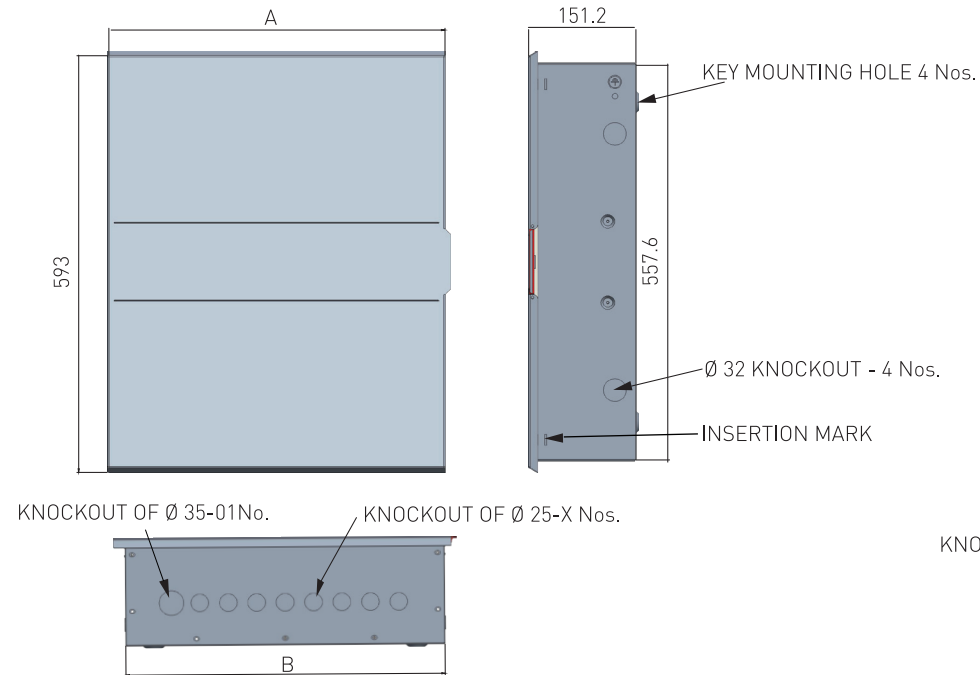


Cat Nos.	Description	Pole	A	C	X
810505	SPN DD 4W Caretron+ DB	4W	160	135	1
810506	SPN DD 6W Caretron+ DB	6W	195	170	2
810507	SPN DD 8W Caretron+ DB	8W	230	205	3
810508	SPN DD 12W Caretron+ DB	12W	300	275	4
810509	SPN DD 16W Caretron+ DB	16W	370	345	5

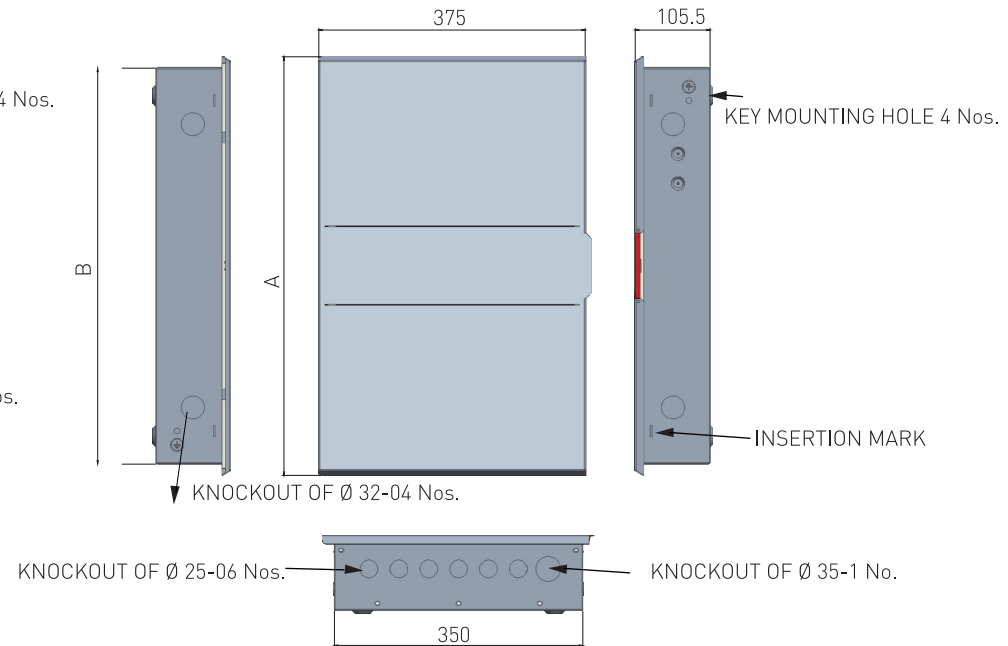
Cat Nos.	Description	Pole	A	C	X
810516	TPN DD 4W4P I/C Caretron+ DB	4W4P	265	240	3
810517	TPN DD 4W8P I/C Caretron+ DB	4W8P	340	315	5
810518	TPN DD 6W4P I/C Caretron+ DB	6W4P	340	315	5
810519	TPN DD 6W8P I/C Caretron+ DB	6W8P	425	400	7
810520	TPN DD 8W Caretron+ DB	8W	425	400	7
810521	TPN DD 12W Caretron+ DB	12W	585	560	10

Dimensions

PHASE SELECTOR DB



VTPN MCB & MCCB IC

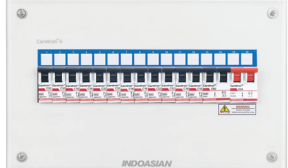
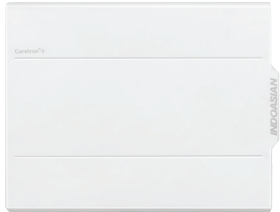


Cat Nos.	Description	Pole	A	B	X
810546	Ph. Sel. DD 4W 40A Caretron+ DB	4W 40A	475.4	450	8
810547	Ph. Sel. DD 6W 40A Caretron+ DB	6W 40A	475.4	450	8
810548	Ph. Sel. DD 8W 40A Caretron+ DB	8W 40A	511.4	486	8
810549	Ph. Sel. DD 12W 40A Caretron+ DB	12W 40A	583.4	558	11
810550	Ph. Sel. DD 4W 63A Caretron+ DB	4W 63A	475.4	450	8
810551	Ph. Sel. DD 6W 63A Caretron+ DB	6W 63A	475.4	450	8
810552	Ph. Sel. DD 8W 63A Caretron+ DB	8W 63A	511.4	486	8
810553	Ph. Sel. DD 12W 63A Caretron+ DB	12W 63A	583.4	558	11


Cat Nos.	Description	Pole	Variant	A	B
810526	VTPN DD 4W MCB I/c Caretron+ DB	4W	VTPN MCB	536	501.6
810527	VTPN DD 6W MCB I/c Caretron+ DB	6W	VTPN MCB	590	555.6
810528	VTPN DD 8W MCB I/c Caretron+ DB	8W	VTPN MCB	644	609.6
810529	VTPN DD 12W MCB I/c Caretron+ DB	12W	VTPN MCB	752	717.6
810530	VTPN DD 4W 125A MCCB I/c Caretron+ DB	4W 125A	VTPN MCCB	536	501.6
810531	VTPN DD 6W 125A MCCB I/c Caretron+ DB	6W 125A	VTPN MCCB	590	555.6
810532	VTPN DD 8W 125A MCCB I/c Caretron+ DB	8W 125A	VTPN MCCB	644	609.6
810533	VTPN DD 12W 125A MCCB I/c Caretron+ DB	12W 125A	VTPN MCCB	752	717.6
810534	VTPN DD 4W 250A MCCB I/c Caretron+ DB	4W 250A	VTPN MCCB	571	536.6
810535	VTPN DD 6W 250A MCCB I/c Caretron+ DB	6W 250A	VTPN MCCB	625	590.6
810536	VTPN DD 8W 250A MCCB I/c Caretron+ DB	8W 250A	VTPN MCCB	679	644.6
810537	VTPN DD 12W 250A MCCB I/c Caretron+ DB	12W 250A	VTPN MCCB	787	752.6


Distribution Board

SPN Single & Double Door


	Cat Nos.	Description	Type	Variant	Pole
	810500I	SPN SD 4W Caretron+ DB	SD	SPN	4W
	810501I	SPN SD 6W Caretron+ DB	SD	SPN	6W
	810502I	SPN SD 8W Caretron+ DB	SD	SPN	8W
	810503I	SPN SD 12W Caretron+ DB	SD	SPN	12W
	810504I	SPN SD 16W Caretron+ DB	SD	SPN	16W
	810505	SPN DD 4W Caretron+ DB	DD	SPN	4W
	810506	SPN DD 6W Caretron+ DB	DD	SPN	6W
	810507	SPN DD 8W Caretron+ DB	DD	SPN	8W
	810508	SPN DD 12W Caretron+ DB	DD	SPN	12W
	810509	SPN DD 16W Caretron+ DB	DD	SPN	16W

TPN Single & Double Door

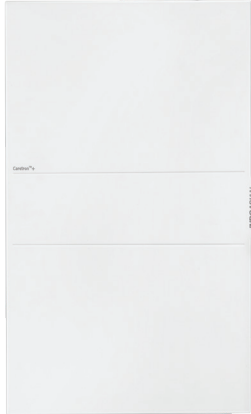
	Cat Nos.	Description	Type	Variant	Pole
	810510I	TPN SD 4W4P I/C Caretron+ DB	SD	TPN	4W4P
	810511I	TPN SD 4W8P I/C Caretron+ DB	SD	TPN	4W8P
	810512I	TPN SD 6W4P I/C Caretron+ DB	SD	TPN	6W4P
	810513I	TPN SD 6W8P I/C Caretron+ DB	SD	TPN	6W8P
	810514I	TPN SD 8W Caretron+ DB	SD	TPN	8W
	810515I	TPN SD 12W Caretron+ DB	SD	TPN	12W

	810516	TPN DD 4W4P I/C Caretron+ DB	DD	TPN	4W4P
	810517	TPN DD 4W8P I/C Caretron+ DB	DD	TPN	4W8P
	810518	TPN DD 6W4P I/C Caretron+ DB	DD	TPN	6W4P
	810519	TPN DD 6W8P I/C Caretron+ DB	DD	TPN	6W8P
	810520	TPN DD 8W Caretron+ DB	DD	TPN	8W
	810521	TPN DD 12W Caretron+ DB	DD	TPN	12W


VTPN Double Door- MCB

	Cat Nos.	Description	Type	Variant	Pole
	810526	VTPN DD 4W MCB I/c Caretron+ DB	DD	VTPN MCB	4W
	810527	VTPN DD 6W MCB I/c Caretron+ DB	DD	VTPN MCB	6W
	810528	VTPN DD 8W MCB I/c Caretron+ DB	DD	VTPN MCB	8W
	810529	VTPN DD 12W MCB I/c Caretron+ DB	DD	VTPN MCB	12W


VTPN Double Door- MCCB

	Cat Nos.	Description	Type	Variant	Pole
	810530	VTPN DD 4W 125A MCCB I/c Caretron+ DB	DD	VTPN MCCB	4W 125A
	810531	VTPN DD 6W 125A MCCB I/c Caretron+ DB	DD	VTPN MCCB	6W 125A
	810532	VTPN DD 8W 125A MCCB I/c Caretron+ DB	DD	VTPN MCCB	8W 125A
	810533	VTPN DD 12W 125A MCCB I/c Caretron+ DB	DD	VTPN MCCB	12W 125A
	810534	VTPN DD 4W 250A MCCB I/c Caretron+ DB	DD	VTPN MCCB	4W 250A
	810535	VTPN DD 6W 250A MCCB I/c Caretron+ DB	DD	VTPN MCCB	6W 250A
	810536	VTPN DD 8W 250A MCCB I/c Caretron+ DB	DD	VTPN MCCB	8W 250A
	810537	VTPN DD 12W 250A MCCB I/c Caretron+ DB	DD	VTPN MCCB	12W 250A


Phase Selector Double Door

	Cat Nos.	Description	Type	Variant	Pole
	810546	Ph. Sel. DD 4W 40A Caretron+ DB	DD	Phase Selector	4W 40A
	810547	Ph. Sel. DD 6W 40A Caretron+ DB	DD	Phase Selector	6W 40A
	810548	Ph. Sel. DD 8W 40A Caretron+ DB	DD	Phase Selector	8W 40A
	810549	Ph. Sel. DD 12W 40A Caretron+ DB	DD	Phase Selector	12W 40A
	810550	Ph. Sel. DD 4W 63A Caretron+ DB	DD	Phase Selector	4W 63A
	810551	Ph. Sel. DD 6W 63A Caretron+ DB	DD	Phase Selector	6W 63A
	810552	Ph. Sel. DD 8W 63A Caretron+ DB	DD	Phase Selector	8W 63A
	810553	Ph. Sel. DD 12W 63A Caretron+ DB	DD	Phase Selector	12W 63A

Plug & Socket Box

	Cat Nos.	Description	Type	Variant	Pole
	810556I	20A TP Caretron+ Metal P&S Box	TP	P&S Metal	20A
	810557I	32A TP Caretron+ Metal P&S Box	TP	P&S Metal	32A
	810558I	Caretron+ Plastic P&S Box 20A SP'C' Pftd	SD	P&S Pftd	20A
	810559I	Caretron+ Plastic P&S Box 20A DP'C' Pftd	SD	P&S Pftd	20A

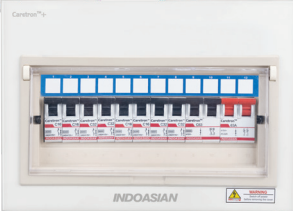
Metal Enclosure

	Cat Nos.	Description	Type	Variant	Pole
	810560I	1W Caretron+ Metal Encl.	SD	Metal Encl.	1W
	810561I	2W Caretron+ Metal Encl.	SD	Metal Encl.	2W
	810562I	3W Caretron+ Metal Encl.	SD	Metal Encl.	3W
	810563I	4W Caretron+ Metal Encl.	SD	Metal Encl.	4W
	810564I	6W Caretron+ Metal Encl.	SD	Metal Encl.	6W

Plastic Enclosure

	Cat Nos.	Description	Type	Variant	Pole
	810565	1/2W Caretron+ Plastic Encl.	SD	Plastic Encl.	1/2W
	810566	3/4W Caretron+ Plastic Encl.	SD	Plastic Encl.	3/4W

Single Door Acrylic

	Cat Nos.	Description	Type	Variant	Pole
	810567I	SPN SD 4W Caretron+ Acrylic DB	Acrylic SD	SPN Acrylic	4W
	810568I	SPN SD 6W Caretron+ Acrylic DB	Acrylic SD	SPN Acrylic	6W
	810569I	SPN SD 8W Caretron+ Acrylic DB	Acrylic SD	SPN Acrylic	8W
	810570I	SPN SD 10W Caretron+ Acrylic DB	Acrylic SD	SPN Acrylic	10W
	810571I	SPN SD 12W Caretron+ Acrylic DB	Acrylic SD	SPN Acrylic	12W
	810572I	SPN SD 16W Caretron+ Acrylic DB	Acrylic SD	SPN Acrylic	16W

CORPORATE OFFICE:

V. J. Business Towers, A-6, 1st Floor, Sector-125, Noida-201301, U.P., India. Ph.: +91-120-3305100
E-mail: Customer.care@indoasian.com, Website: www.indoasian.com

NORTH

Regional Sales office

DELHI NCR

V. J. Business Towers,
A-6, Ground Floor,
Sector-125, Noida-201301
Ph.: 0120-6858900

Branch offices

CHANDIGARH

S.C.O.-11, 2nd Floor,
Sector-26, Madhya Marg,
Chandigarh-160002
Ph.: 0172-3934651

Branch offices

JAIPUR

433, 4th Floor, Ganpati Plaza,
M. I. Road,
Jaipur-302001
Ph.: 0141-4113528

Branch offices

LUCKNOW

301, 3rd Floor, Chintel House,
Station Road,
Lucknow-226001
Ph.: 0522-4013210

SOUTH

Regional Sales office

BANGALORE

787, 1st Floor "Skyline Vista",
15th Cross, 100 Feet Ring Road
J P Nagar 1st Phase
Bangalore-560 078
Tel: 080-46219999

Branch offices

COCHIN

Door No.65/1317, Syda Building,
2nd Floor, Kaloor-Kadavanthra Road,
Kaloor, Ernakulam District,
Kochi-682017 (Kerala)
Ph.: 0484-4055581-88

Branch offices

COIMBATORE

Door No. 83,
Dr. Nanjappa Road,
Coimbatore-641018
Ph.: 0422-2302715

Branch offices

CHENNAI

No.5, 1st Floor, Mahalingapuram Main Road,
Nungambakkam,
Chennai-600034
Ph.: 044-28172096, 28170527

Branch offices

HYDERABAD

312, 3rd Floor,
Amrutha Estates, Himayath Nagar,
Hyderabad-500029
Ph.: 040-66742425

WEST

Regional Sales office

MUMBAI

401 & 408, K.P. Arrum,
Marol Morshi Road, Andheri East,
Mumbai-400059
Ph.: 022-61035800

Branch offices

AHMEDABAD

102, 1st Floor, Shivalik High Street,
Near Mansi Circle, Vastrapur,
Ahmedabad-380015
Ph.: 079-29701351-53

Branch offices

INDORE

202, KK Bafna Arcade,
Janjeerwala Square, Race Course Road,
Indore-452001
Ph.: 0731-4064064

Branch offices

PUNE

311, Pride Silicon Plaza,
Bhamburda Senapati Bapat Marg,
Shivaji Nagar, Near Chaturshringi Temple,
Pune - 411 016
Ph.: 8087610722

EAST

Regional Sales office

KOLKATA

Raikva Building, Room No. 8, 2nd Floor,
3A Ram Mohan Garden Lane,
Beliaghata E.M.Bypass, Kolkata-700010
Ph.: 033-66041503

CUSTOMER SUPPORT EXECUTIVE:

V. J. Business Towers, A-6, 1st Floor, Sector-125, Noida-201301, U.P., India.
Ph.: 1800 103 7077 E-mail: Customer.care@indoasian.com